

Unifying Broadband Communication

## accessFlowCable™-EPON

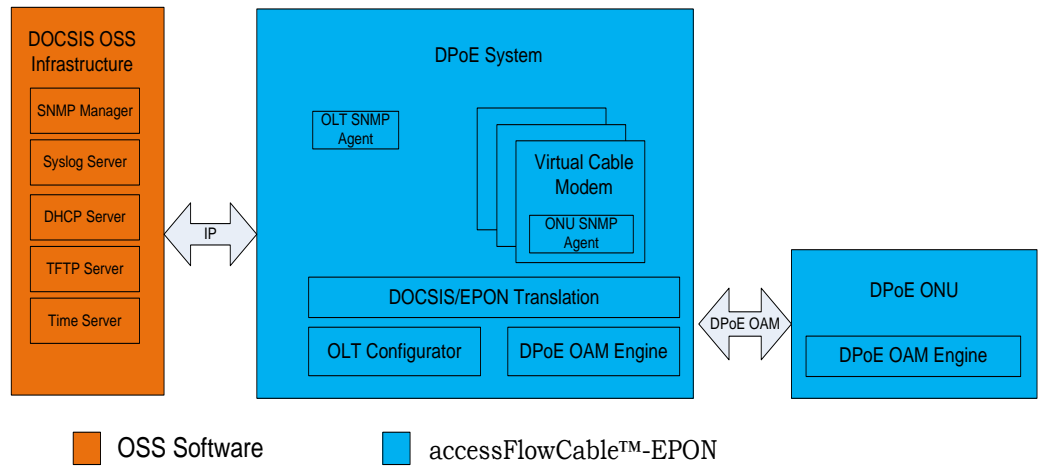
### DOCSIS® Provisioning Of EPON Software

## Standard

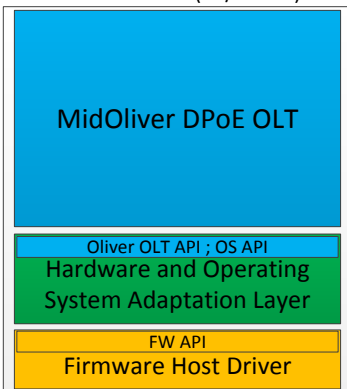
accessFlowCable™-EPON - Software supporting the DOCSIS® Provisioning of 1G and 10G EPON (DPoE™) and the SIEPON specifications (IEEE P1904.1).  
 accessFlowCable™-EPON has proved interoperable at multiple DPoE CableLabs® test events and has been designed in by multiple vendors.

End-to-End implementation, Full DPoE System and DPoE ONU connecting to the standard DOCSIS® OSS Infrastructure

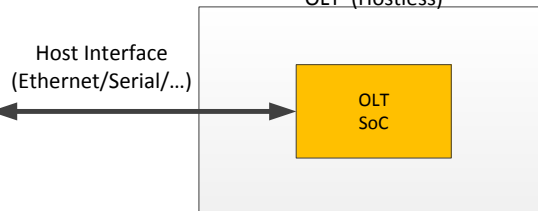
## End-to-End



Linux Machine (PC/Server)



OLT (Hostless)

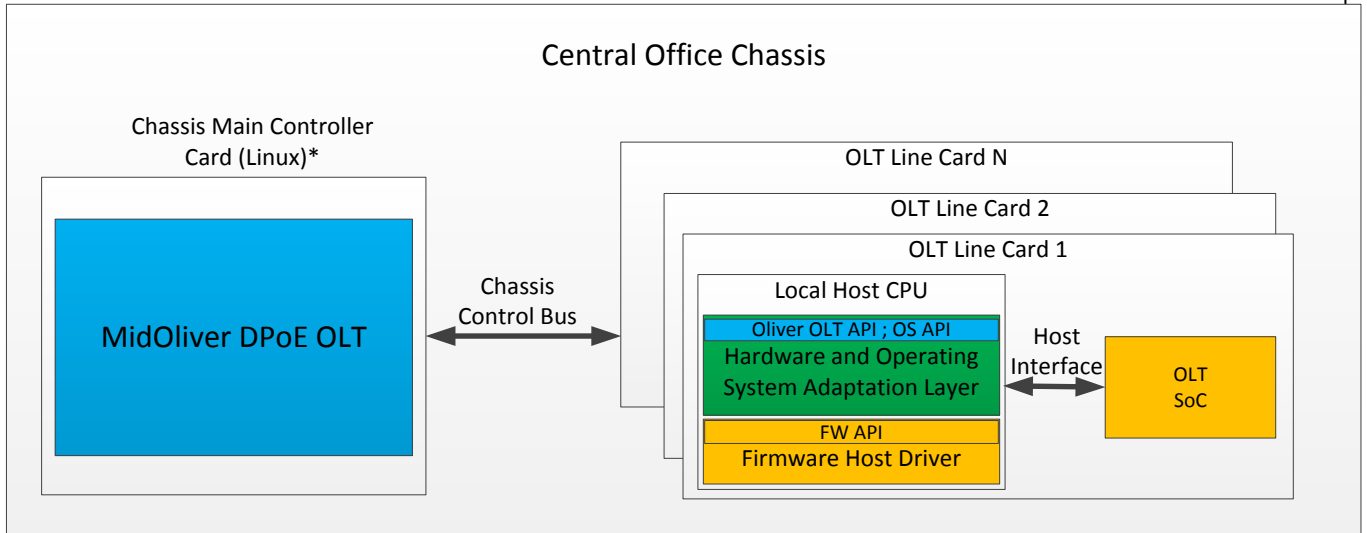


## Virtualized

DPoE™ System Software running on standard server, either local or remote, managing the EPON Network

# Embedded

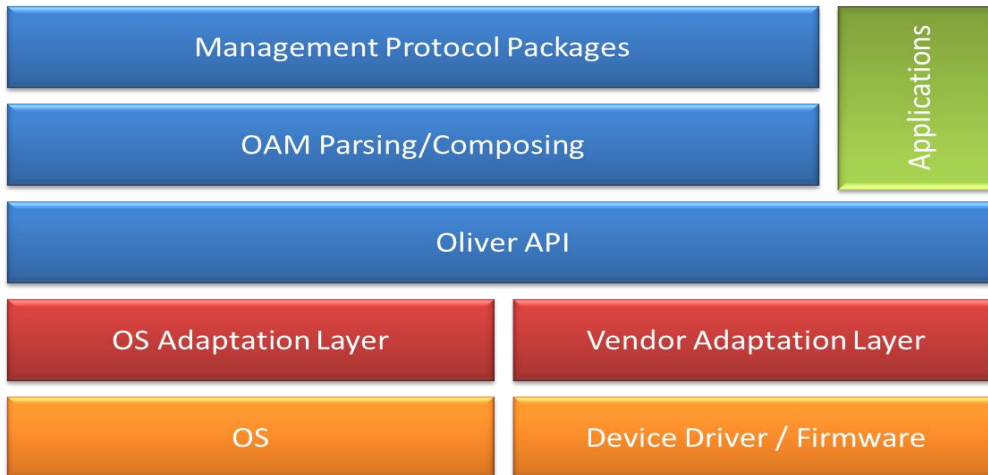
A configuration enabling the DPoE™ System Software to be run on an embedded CPU either on the OLT line card or on the Main controller card.



## Hardware Neutral

Unified interface (Oliver API) to different hardware implementations accelerating the adaptation process to new hardware platforms.

**Already Pre-integrated with Multiple EPON Hardware vendors**



[www.oliver-solutions.com](http://www.oliver-solutions.com)

info@oliver-solutions.com

Headquarters:

11 Galgalei Haplada Street,

Herzliya, PO Box 12393

Israel, 46722

Phone/Fax: +972-747028642/ +972-153747028642

Japan Office:

Toshihiko Kusano: toshi@oliver-solutions.com

Phone +81 44-201-1058

**OLIVER**  
SOLUTIONS

Copyright Oliver Solutions Reserved  
Last update: October 2013